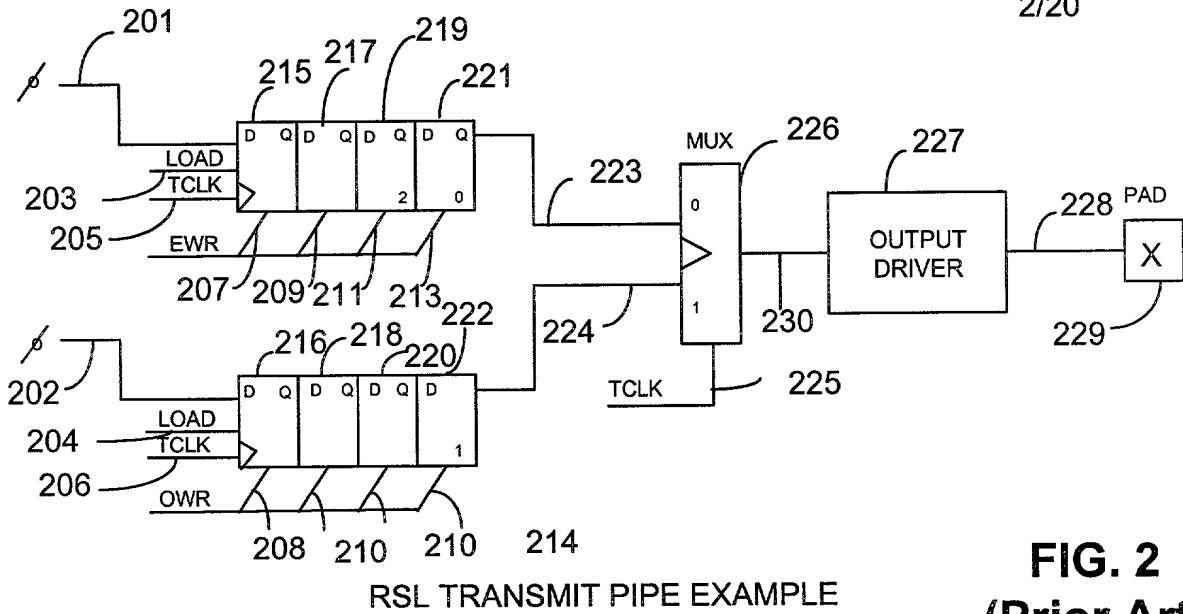
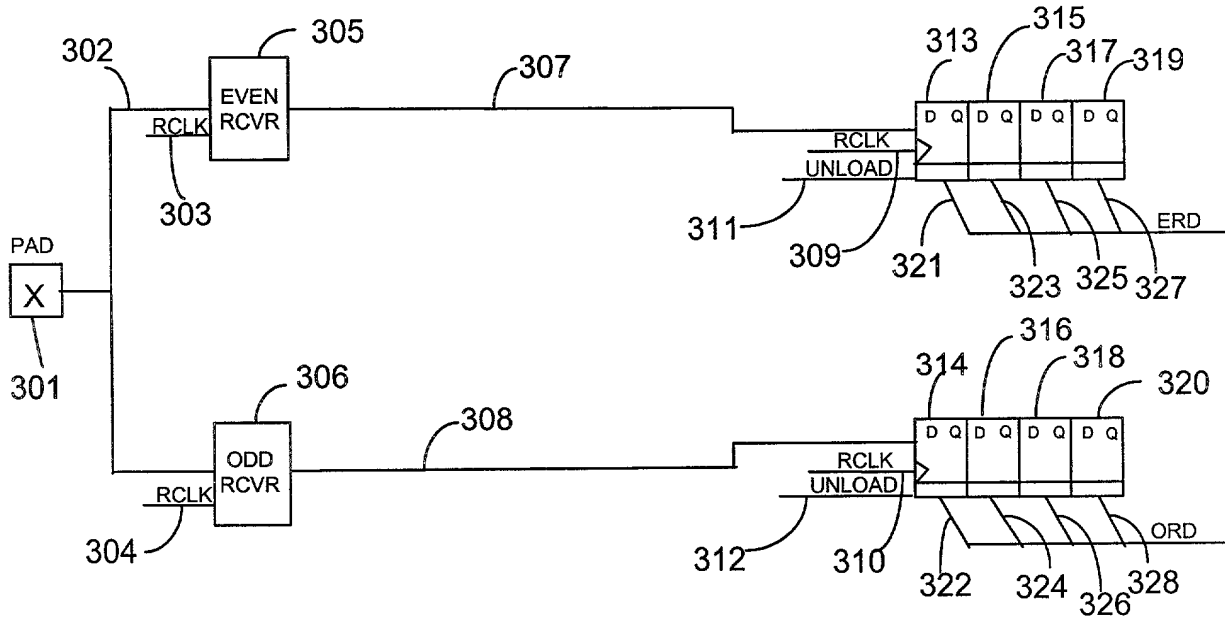


FIG. 1



**FIG. 2**  
**(Prior Art)**

**RSL RECEIVE PIPE EXAMPLE**



**Fig. 3**  
**(Prior Art)**

Patent Application No. 2008/0000000

RSL TRANSMIT PIPE WITH PRBS TEST MODE

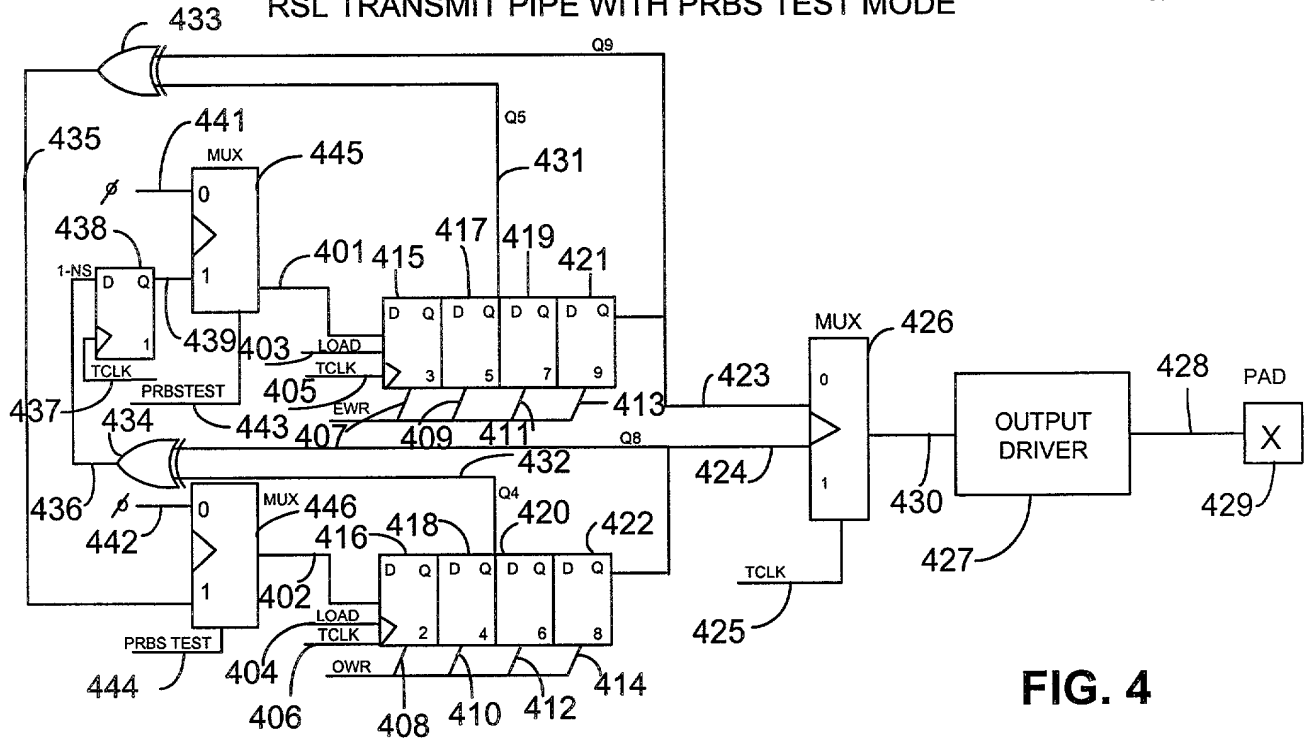


FIG. 4

RSL RECEIVE PIPE WITH PRBS TEST MODE

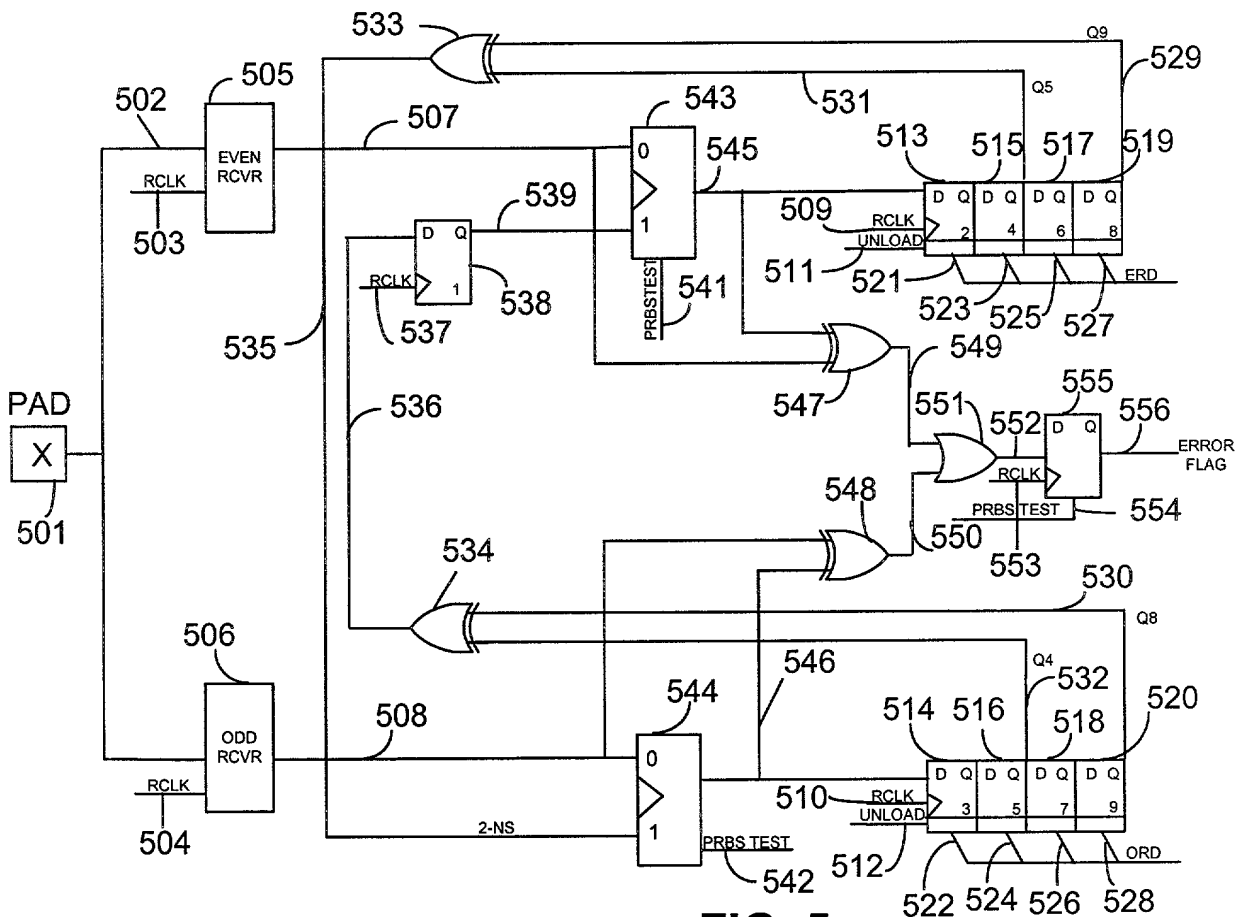


FIG. 5

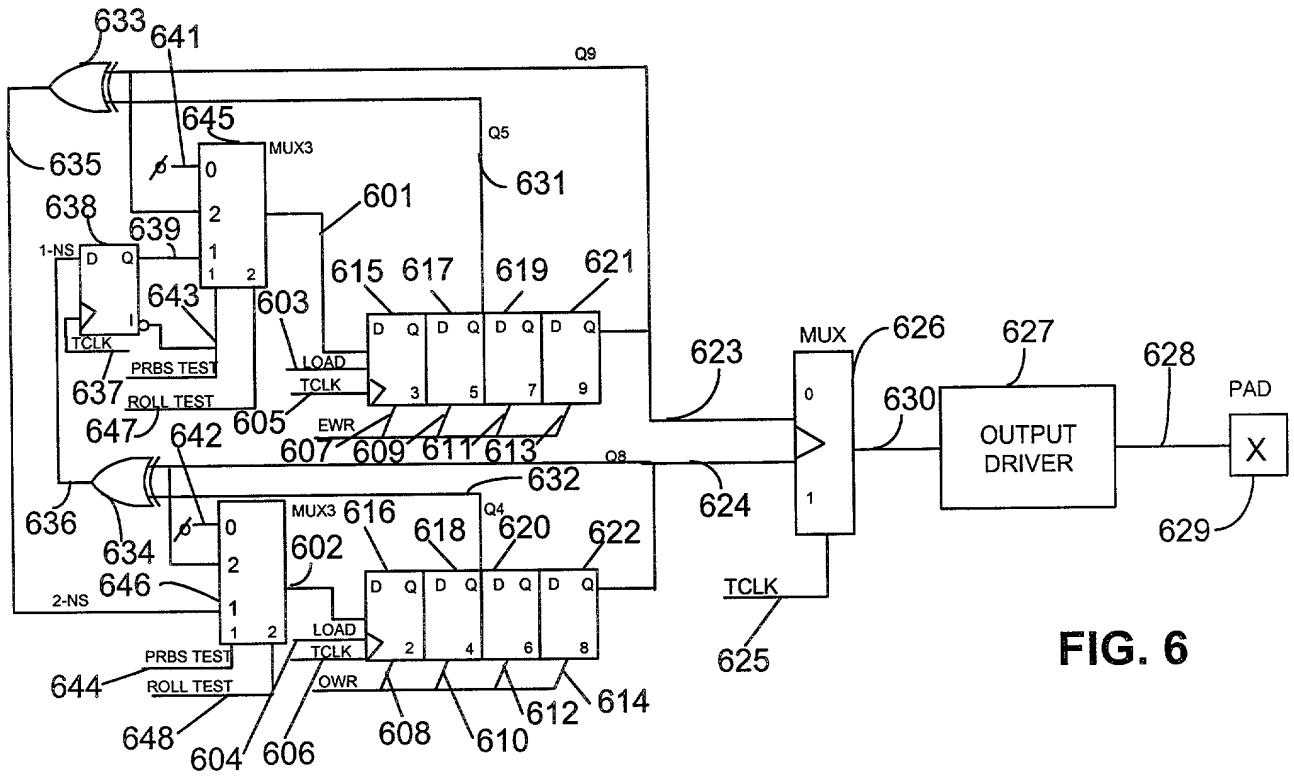


FIG. 6

RSL RECEIVE PIPE WITH PRBS AND ROLL TEST MODE

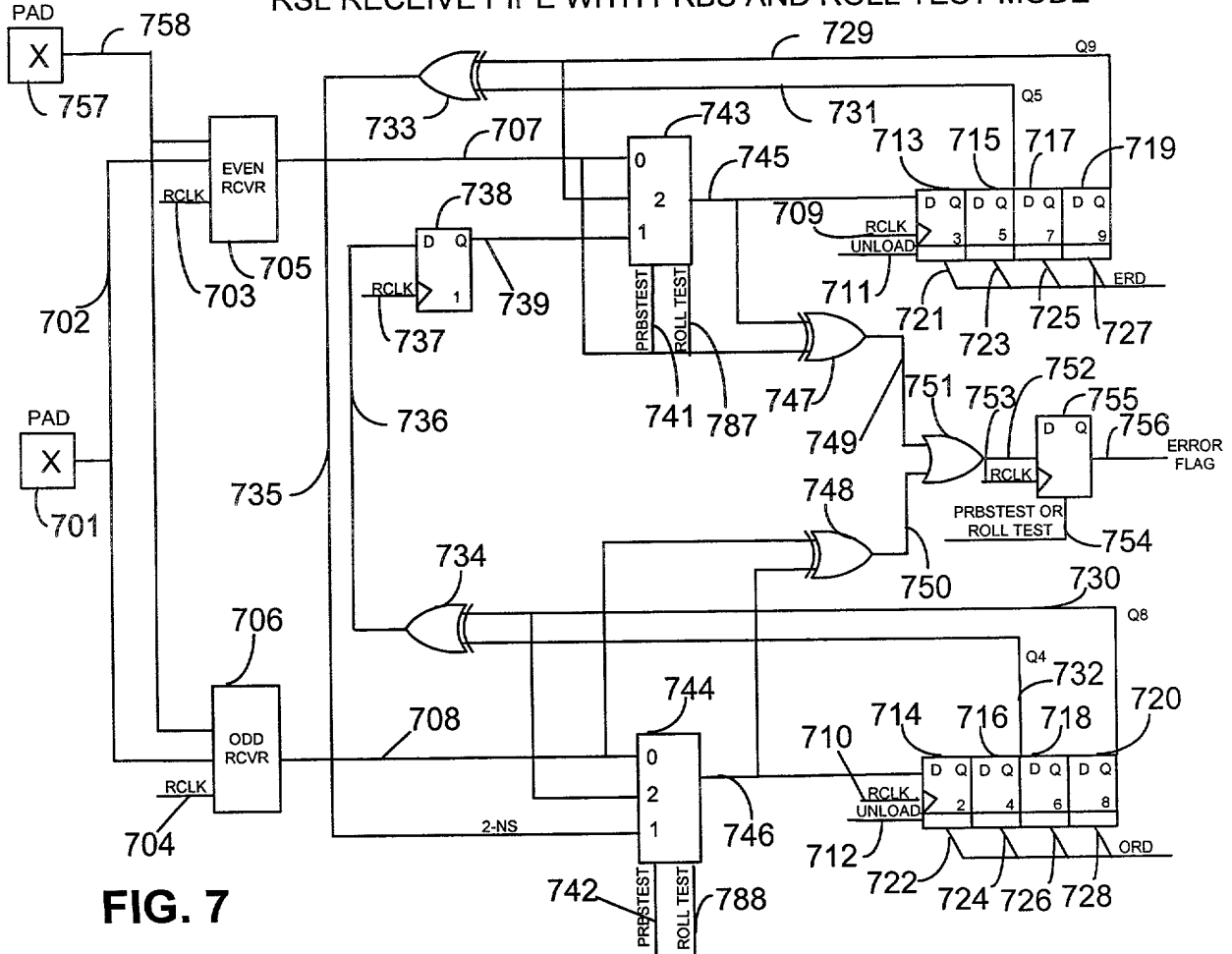
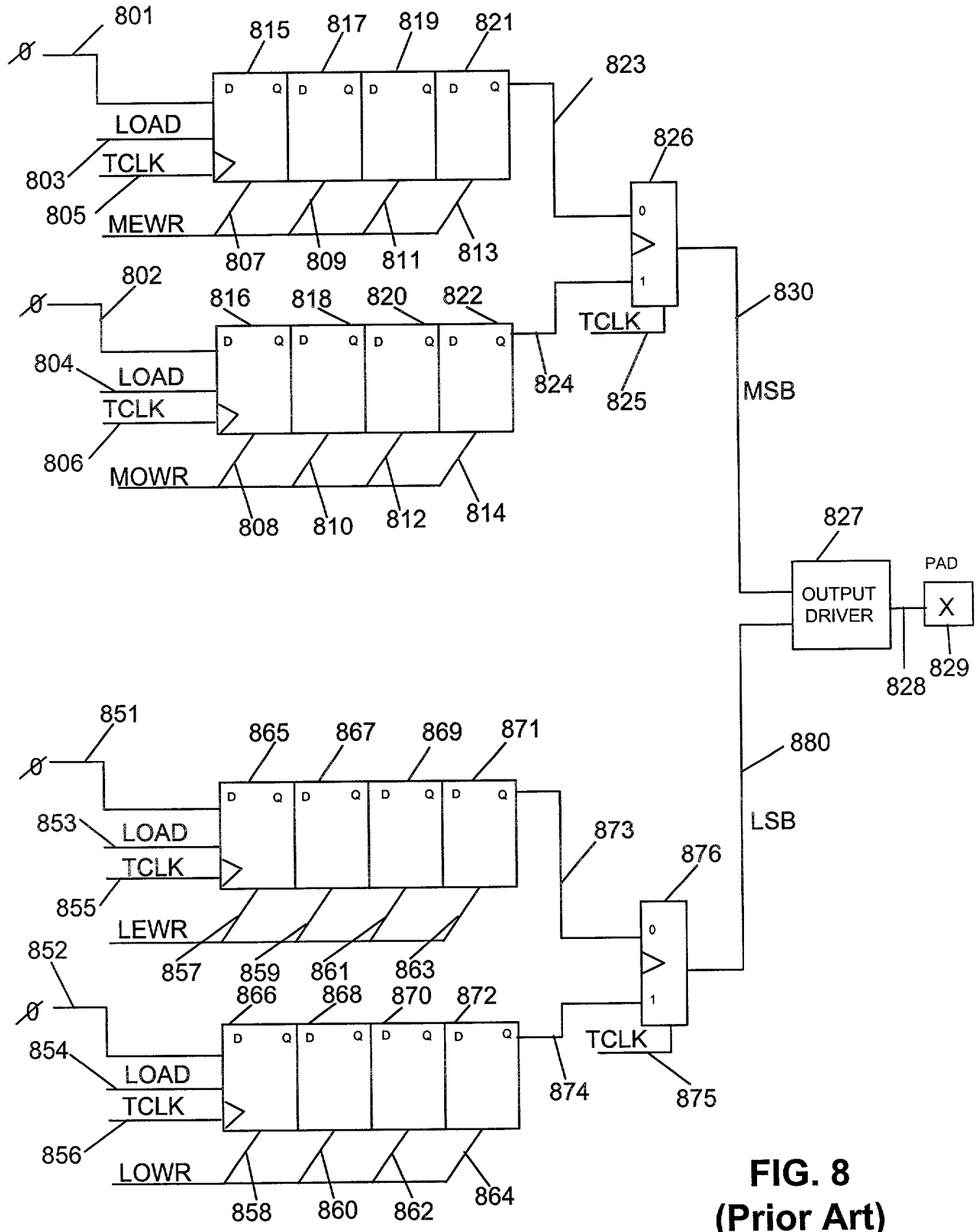


FIG. 7



**FIG. 8**  
**(Prior Art)**

FIG. 8 (Prior Art)

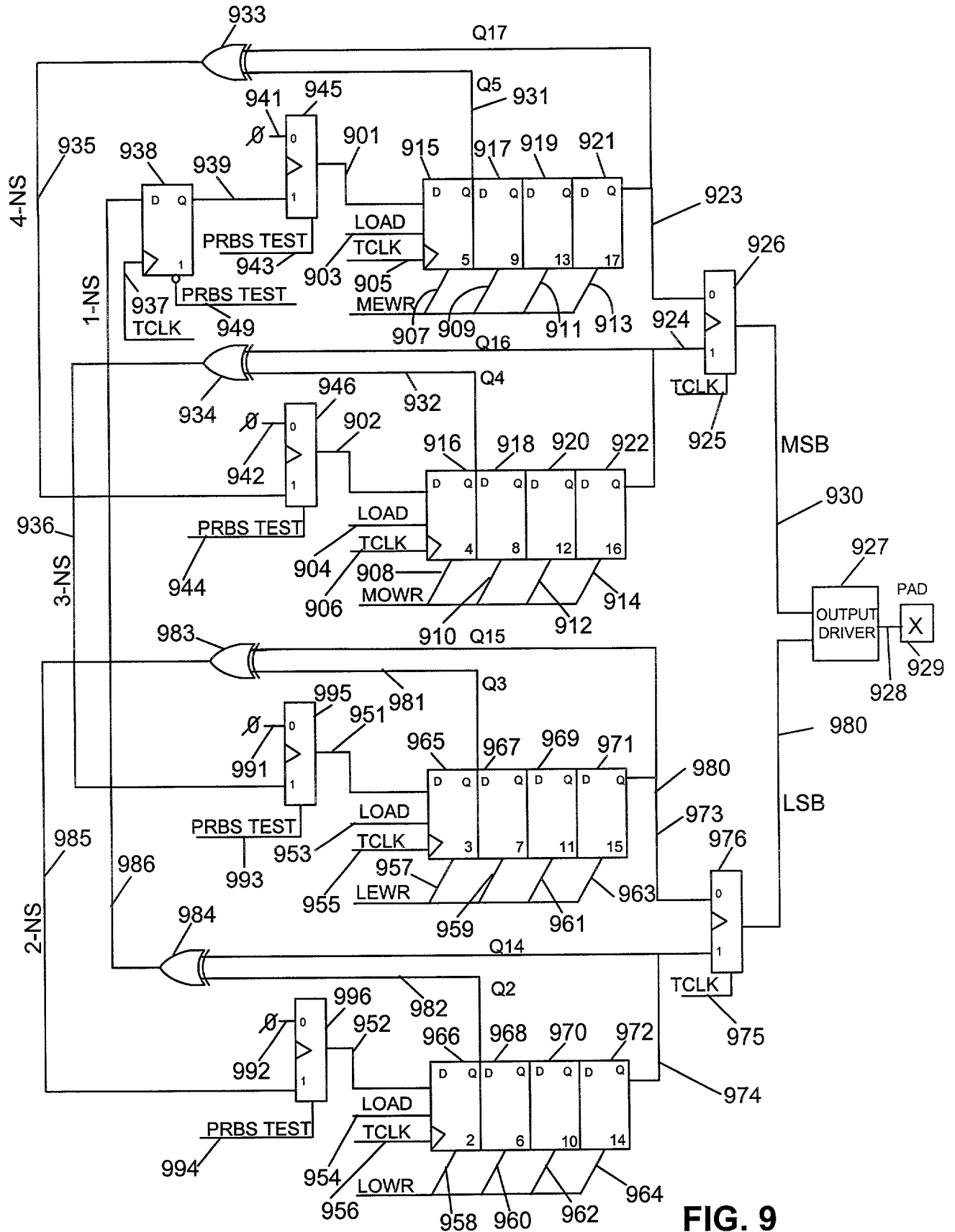


FIG. 9

Copyright © 2006 Intel Corporation. All rights reserved.

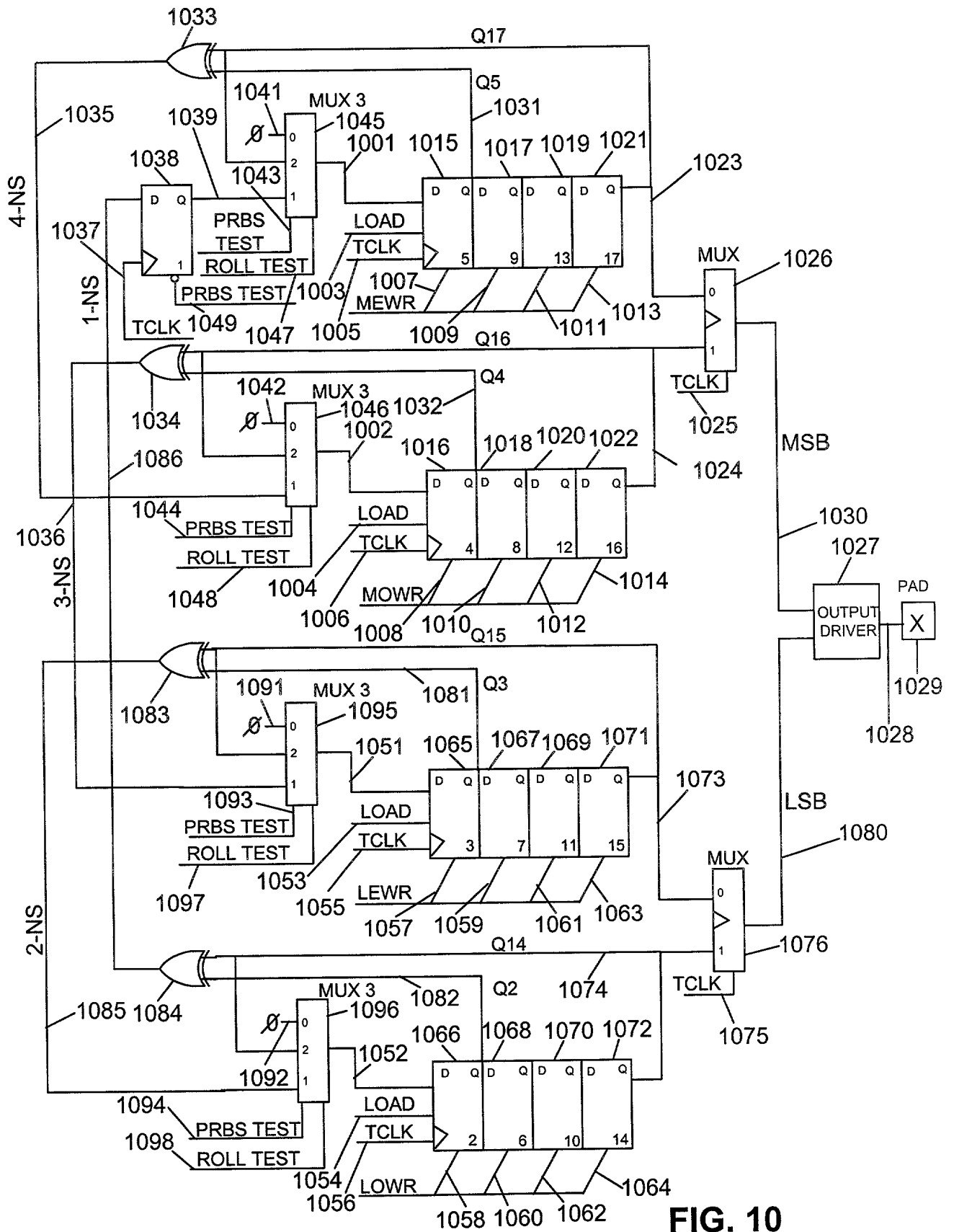
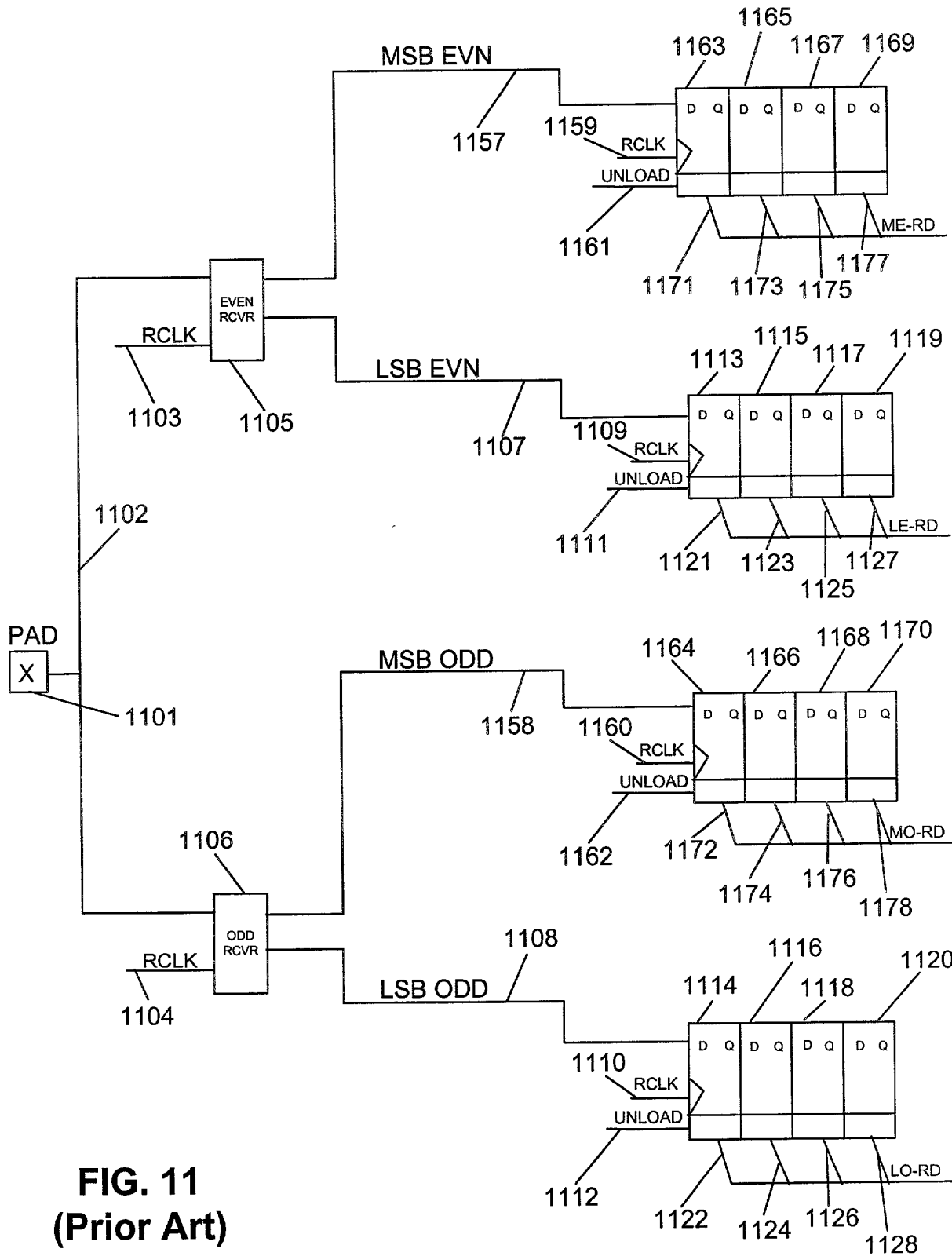


FIG. 10

2025 Release under E.O. 14176



**FIG. 11**  
**(Prior Art)**

2025 RELEASE UNDER E.O. 14176



QRSL RECEIVE PIPE WITH PRBS TEST

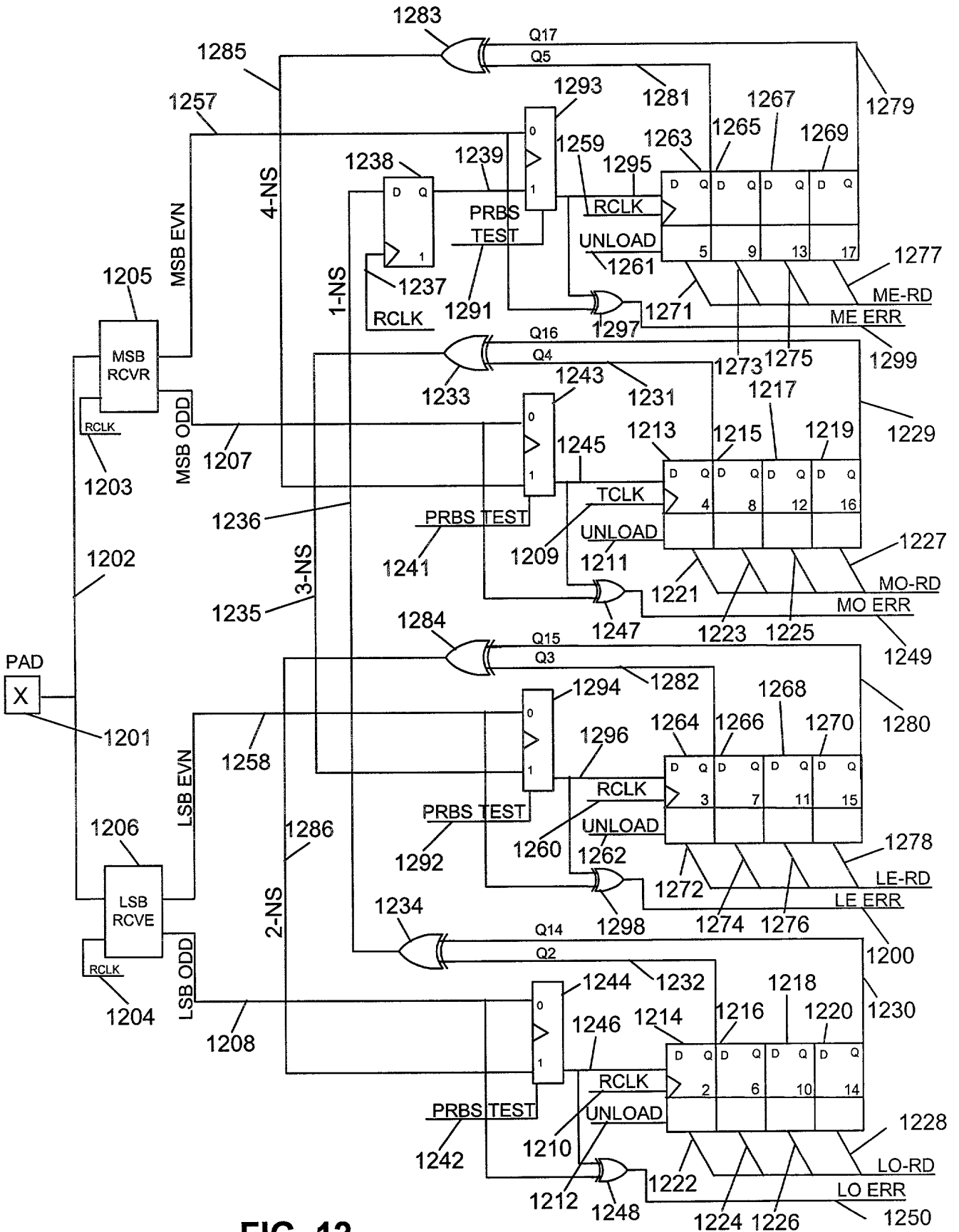


FIG. 12

QRSL RECEIVE PIPE WITH PRBS AND ROLL TEST

10/20

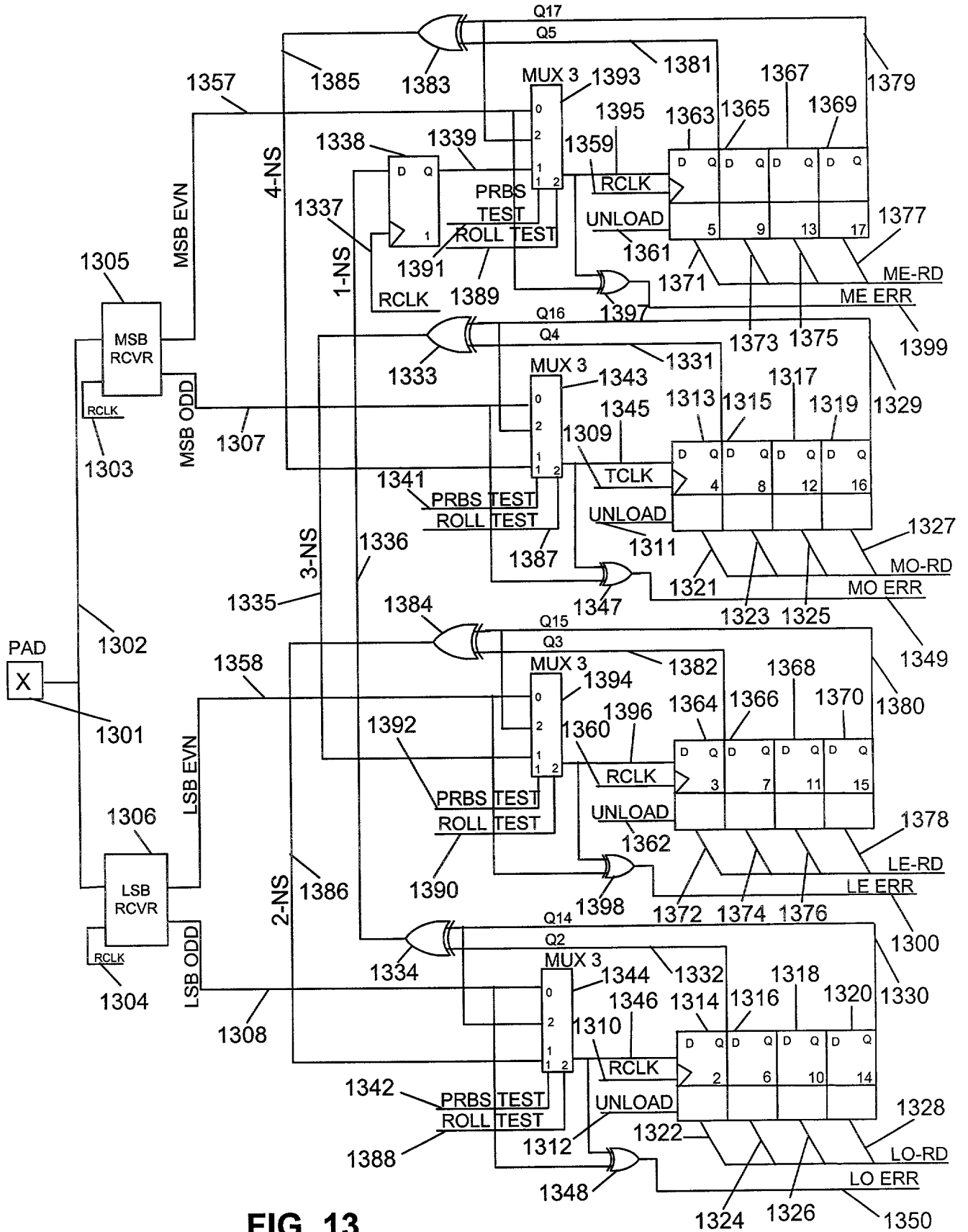


FIG. 13

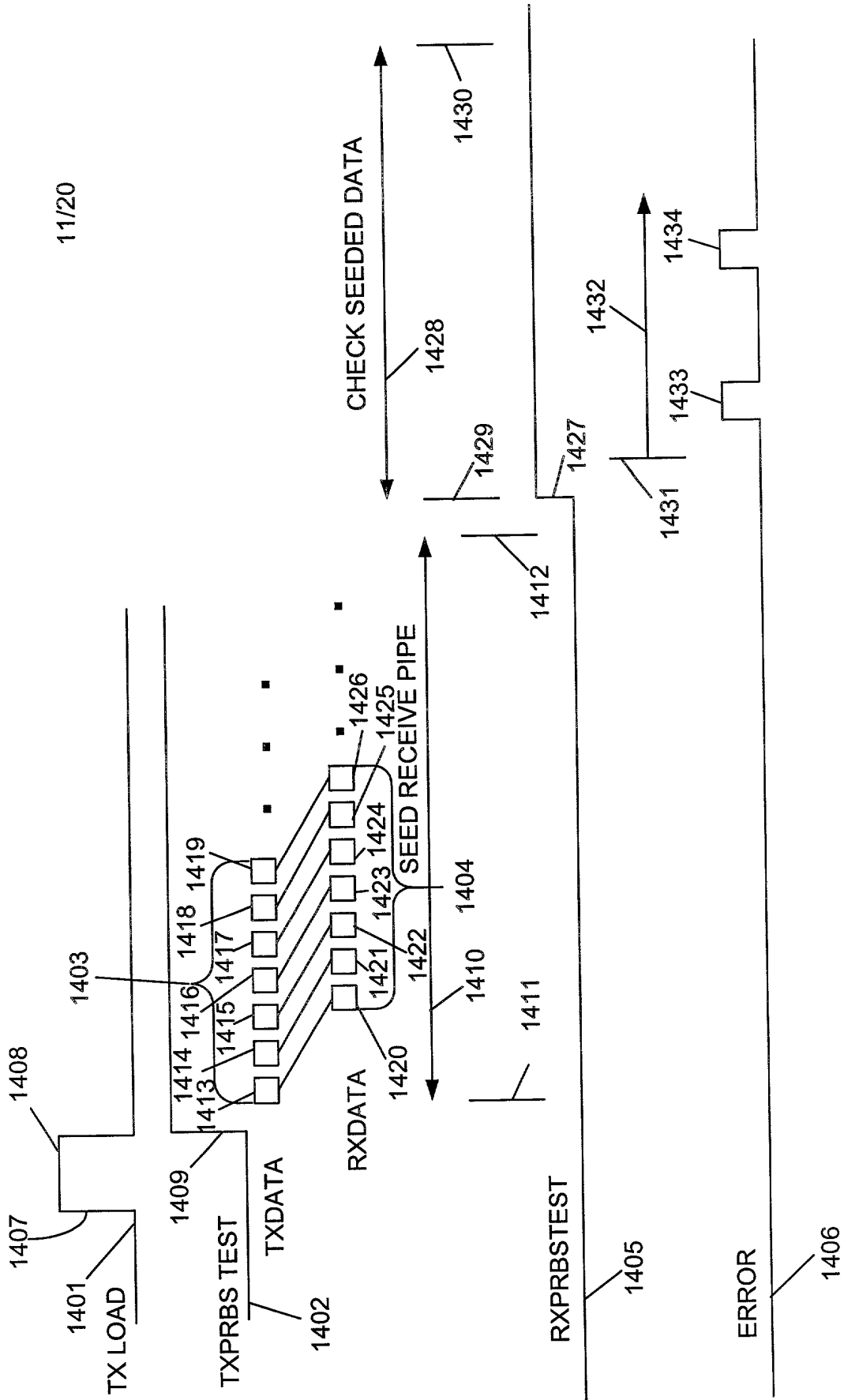
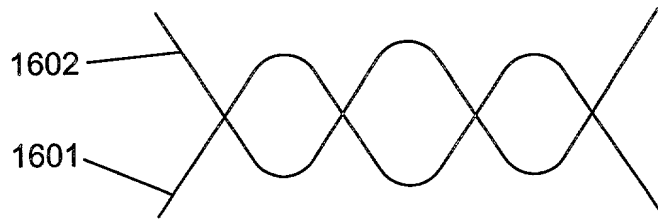
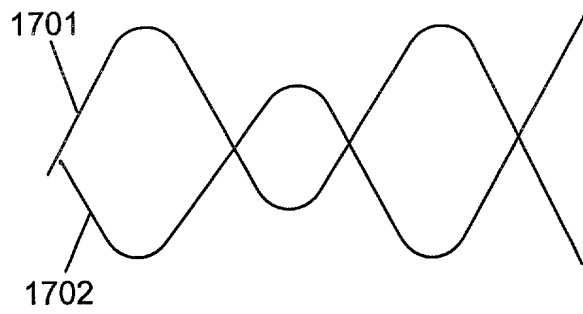


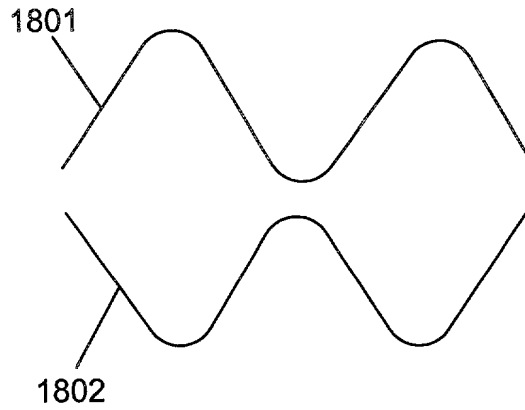
FIG. 14



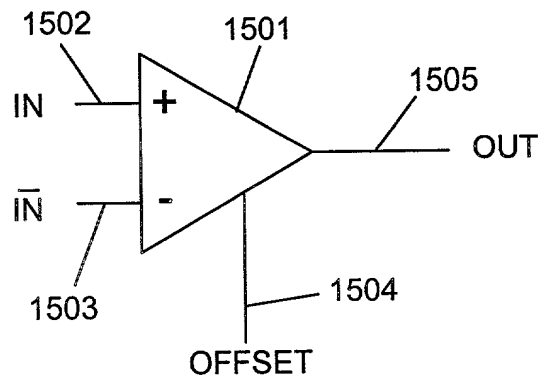
**FIG. 16**



**FIG. 17**



**FIG. 18**



**FIG. 15**

FIG. 15

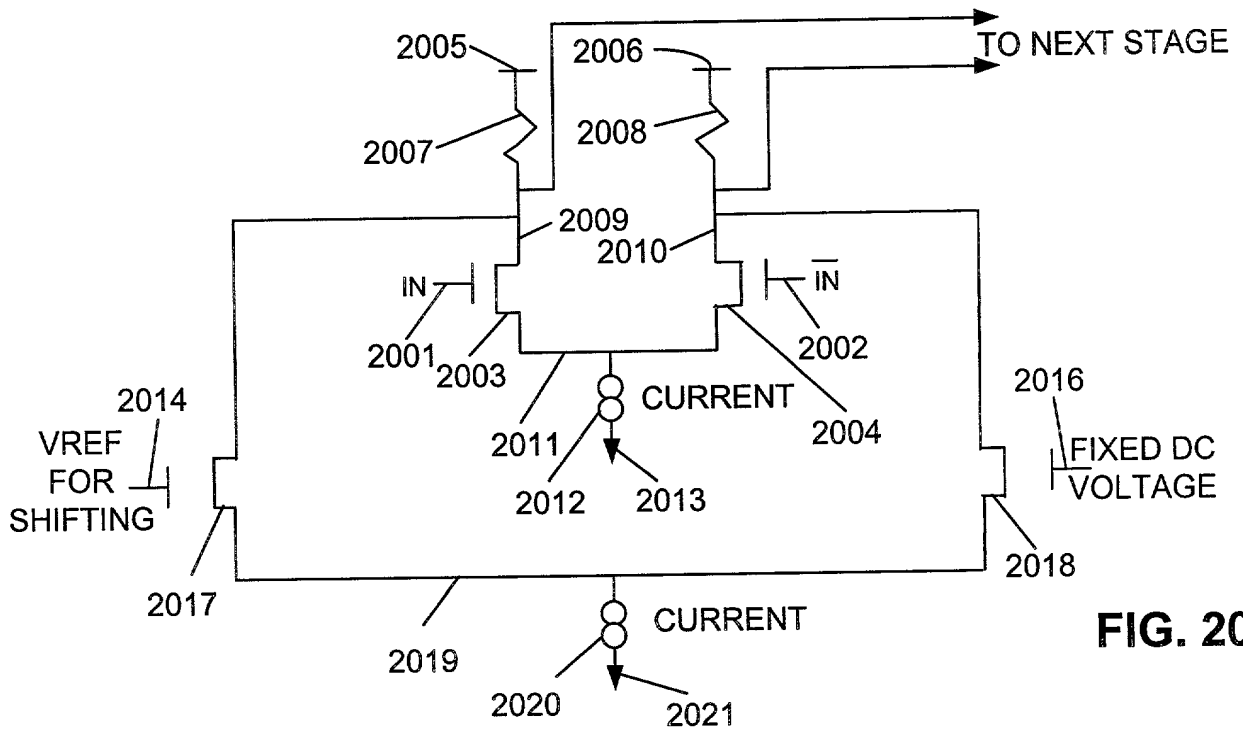


FIG. 20

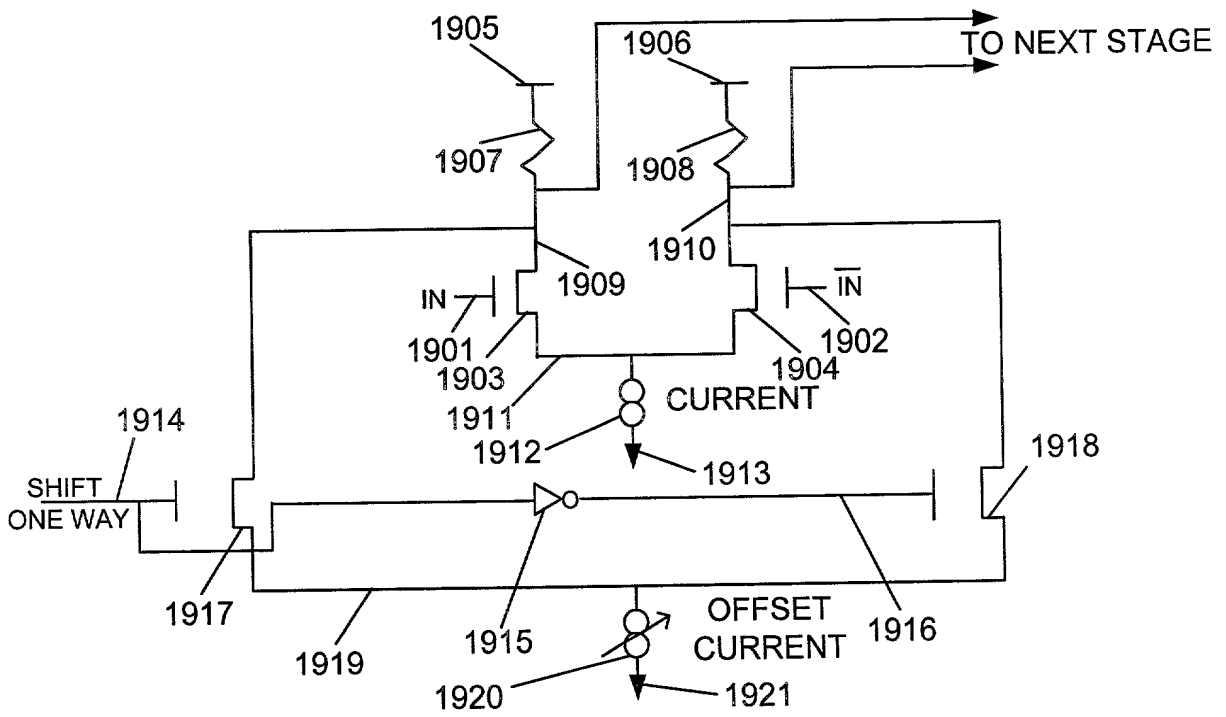


FIG. 19

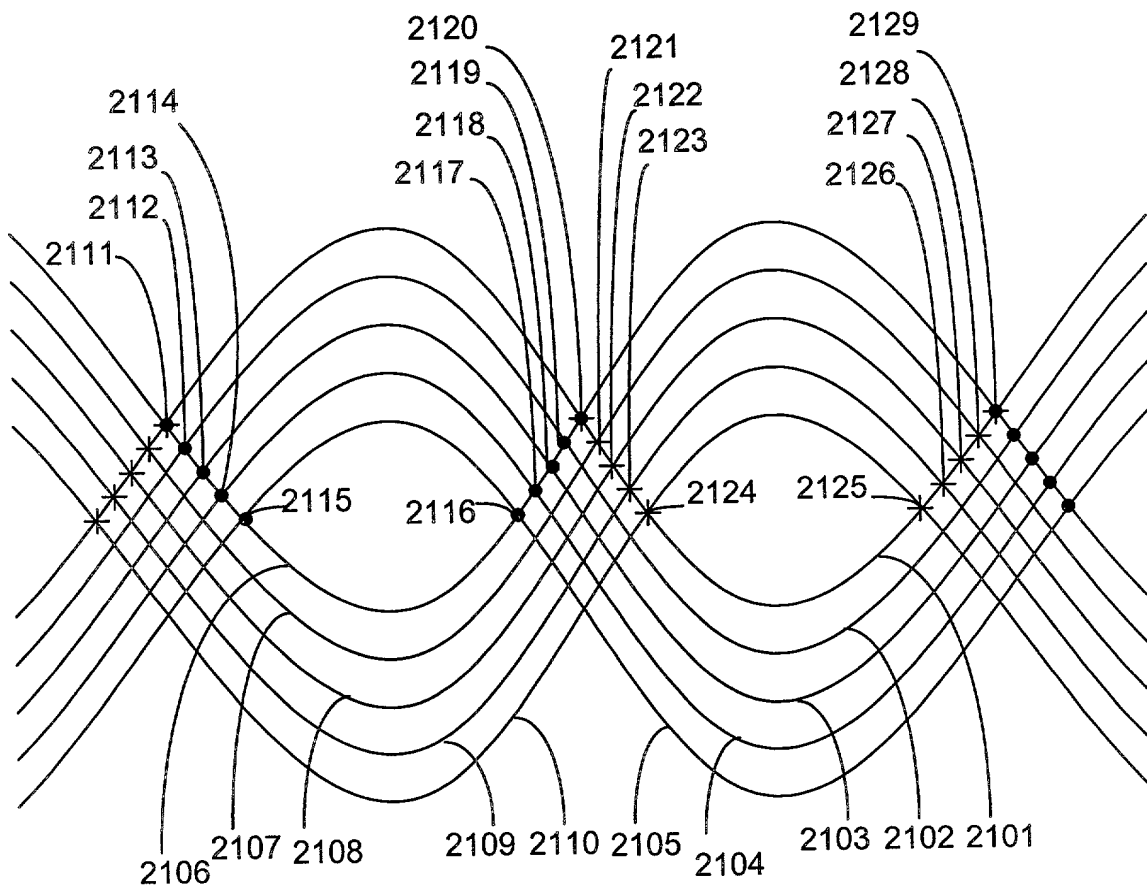


FIG. 21

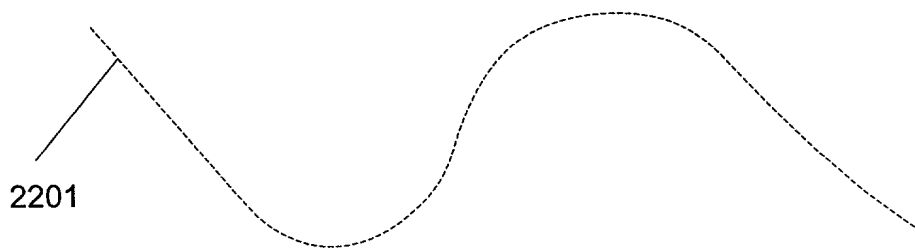


FIG. 22

FIG. 21

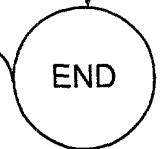
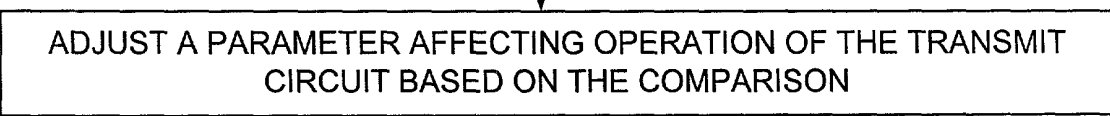
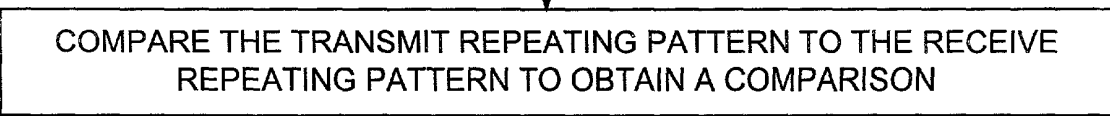
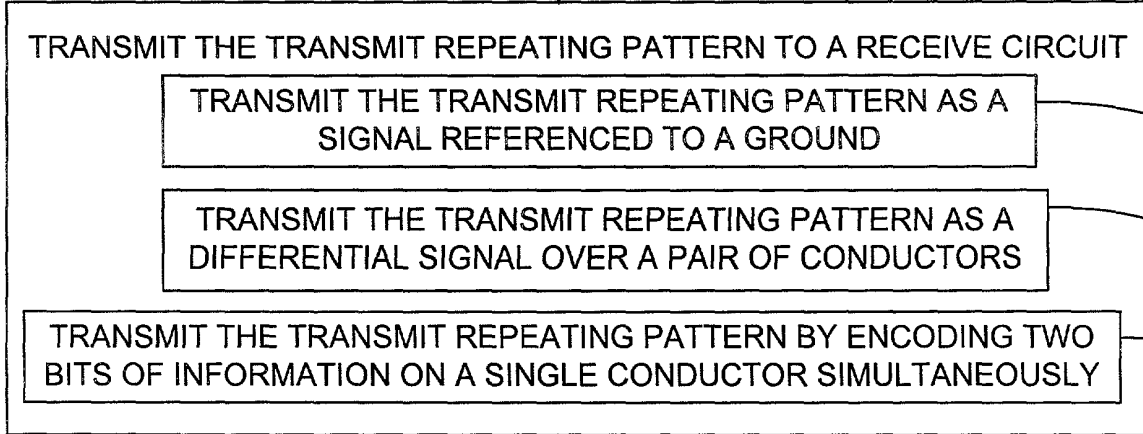
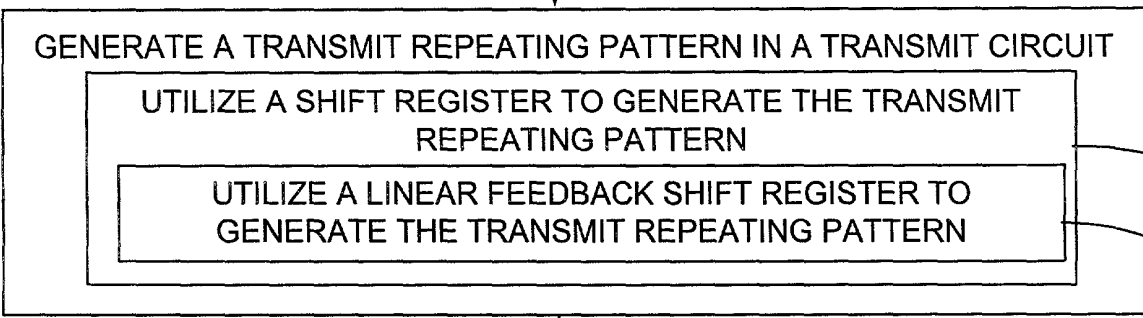
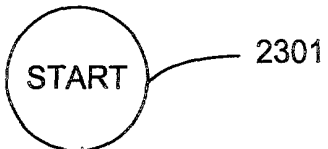


FIG. 23

FIG. 23

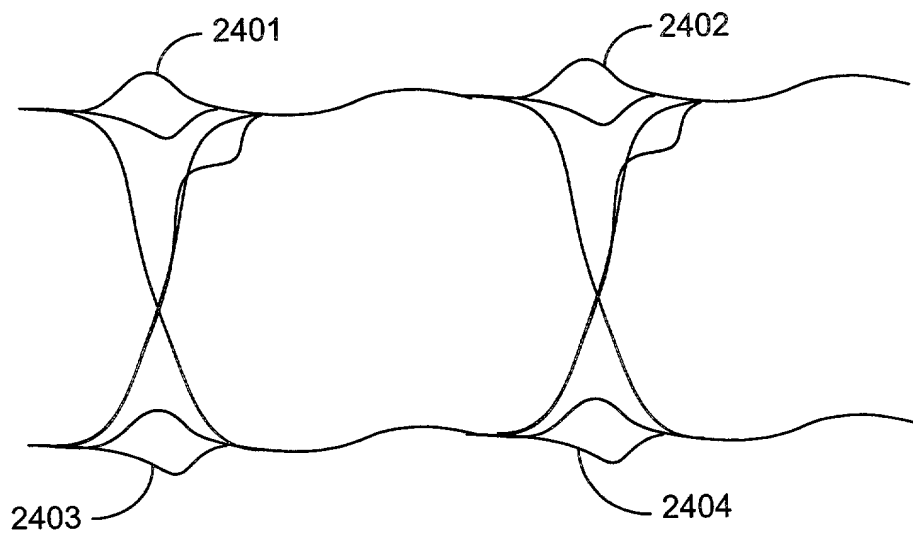


FIG. 24

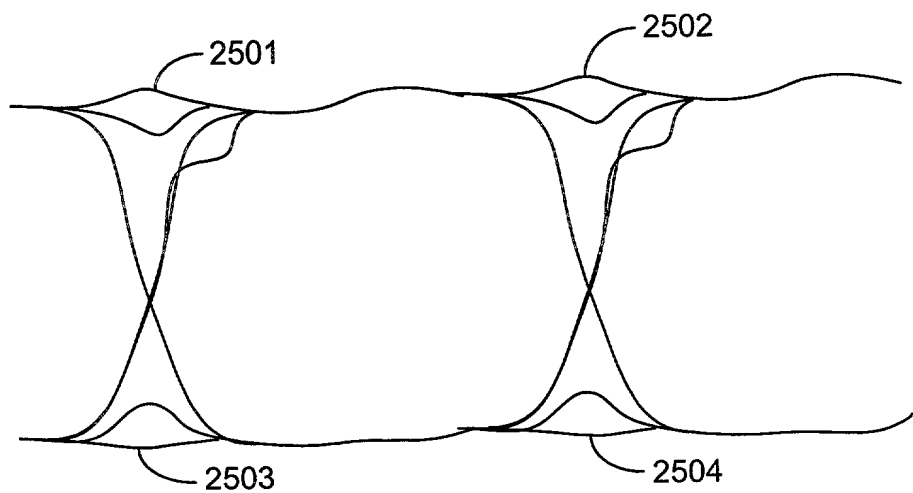
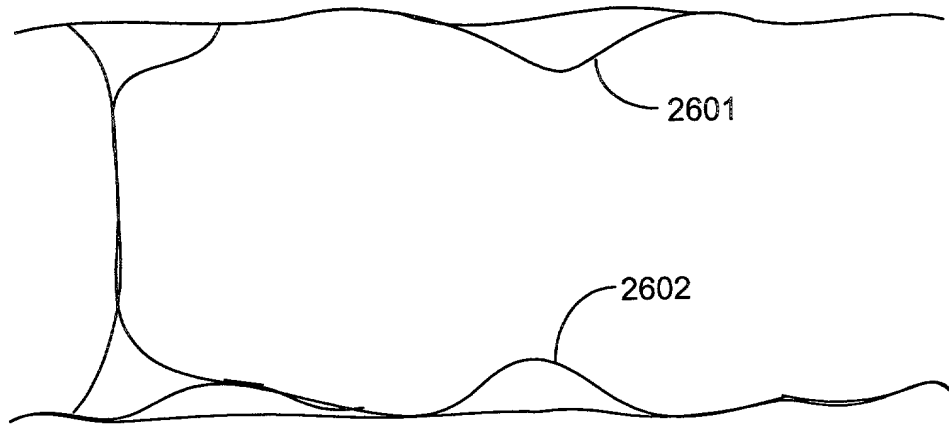


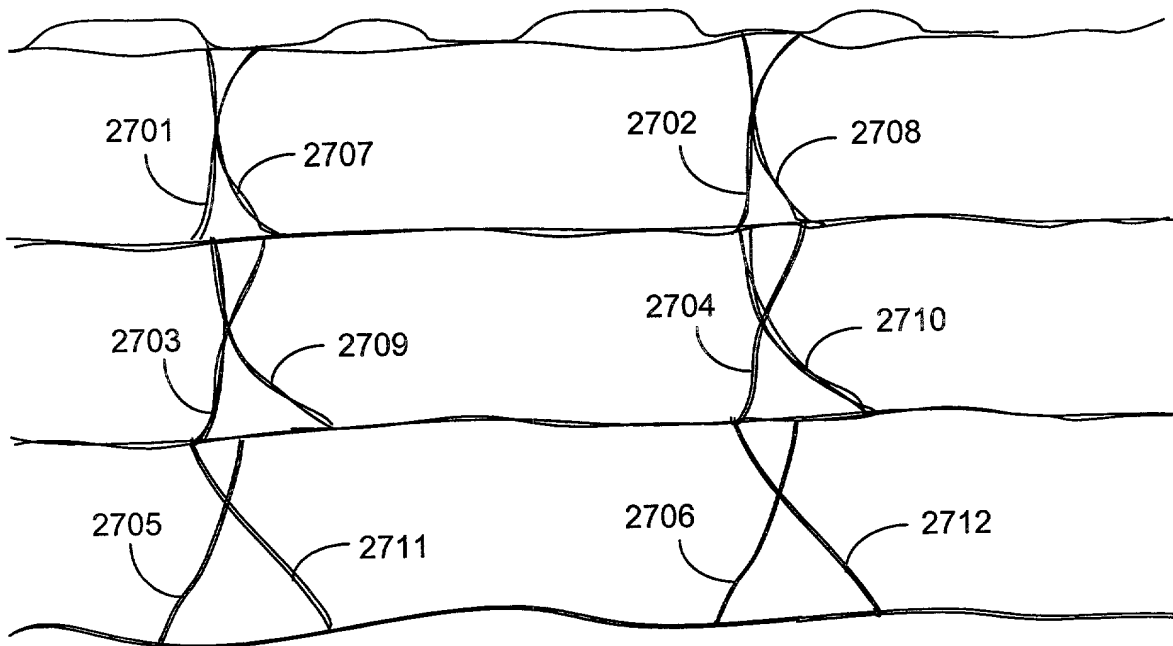
FIG. 25

FIG. 24



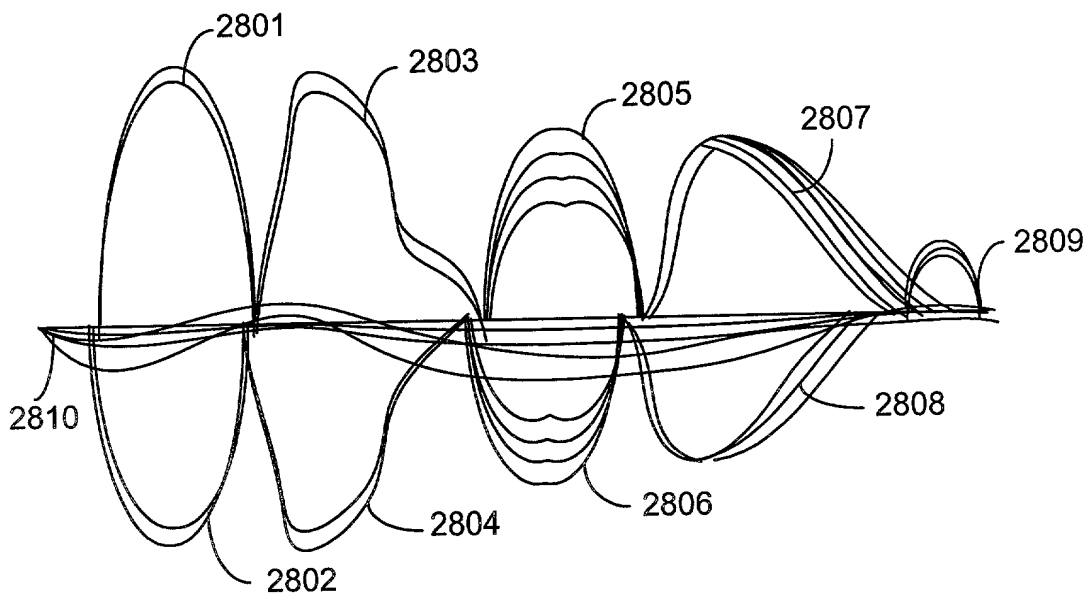


**FIG. 26**

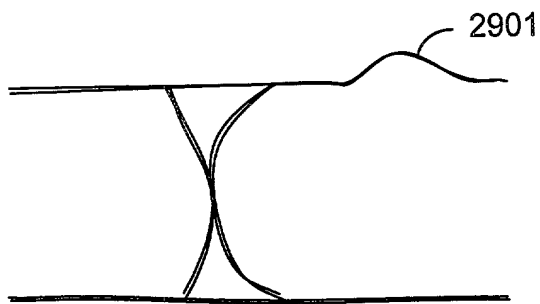


**FIG. 27**

2025 RELEASE UNDER E.O. 14176



**FIG. 28**



**FIG. 29**

Patent # 6,666,666

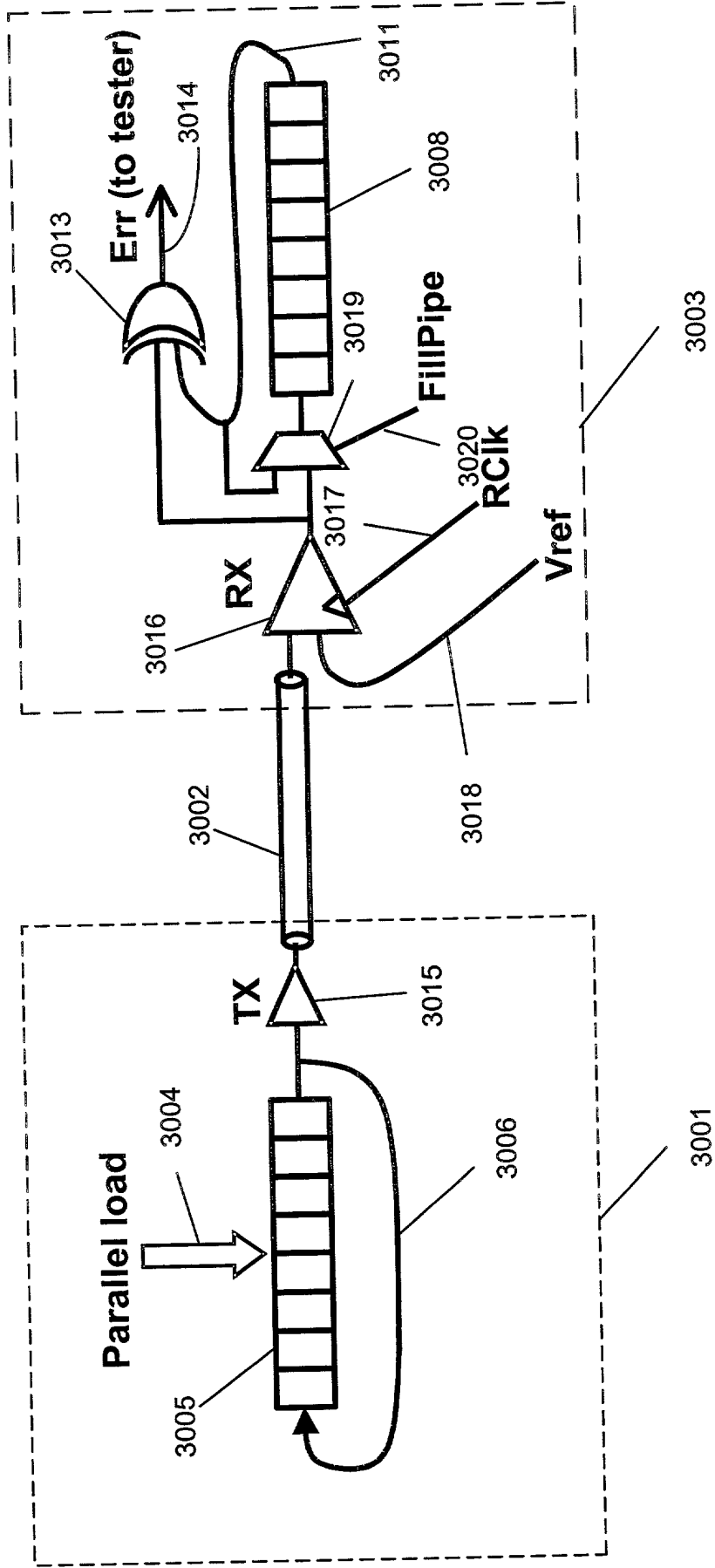


FIG. 30

FIG. 31

